



KONICA MINOLTA

INLINE TRIMMING UNIT

RETHINK INLINE FINISHING



TU-510

Giving Shape to Ideas

GO FOR INNOVATION

RETHINK INLINE FINISHING

With the innovative inline trimming unit TU-510, Konica Minolta demonstrates its competence in both printing and finishing technology and fulfills today's demands for versatile and creative print products.

A first in the industry, the TU-510 cuts everything from small business cards to oversized long sheets. Both slitting and trimming, this new Konica Minolta finishing option produces full-bleed output. Its functionality can be extended with further accessories for creasing as well as full-bleed business card and postcard output. Via the connection with the IQ-501 Intelligent Quality Care unit, colour consistency and registration accuracy are ensured for every printed sheet. Our intelligent trimmer even supports extra-long sheets offering attractive opportunities for business expansion. At the same time, it helps save valuable operator time and thus reduces the cost of manual labour.



YOUR ADVANTAGES WITH THE TU-510

RETHINK INLINE FINISHING

CREASING KIT CR-102*

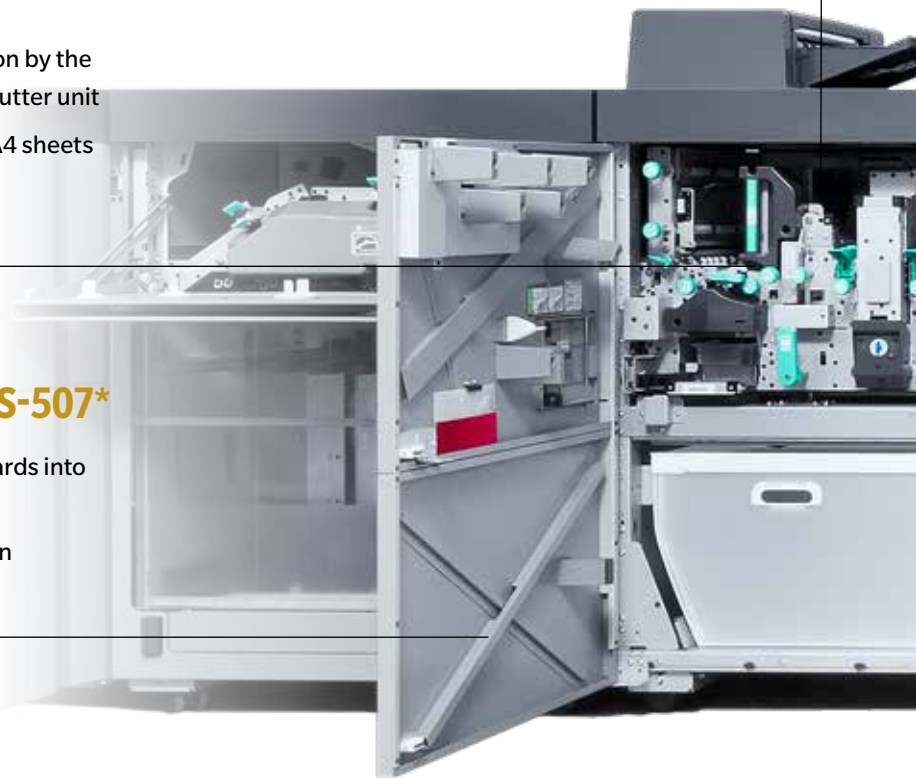
- Applies horizontal creases to printed pages
- Up to 5 creases per sheet are possible (depending on combination mode)
- For folded brochures with 6 or 8 pages (requires MK-764)

CUTTER AND SLITTER

- Printed pages can be automatically trimmed on all four edges
- Pages are first cut in paper feeding direction by the slitter unit, then in cross direction by the cutter unit
- The SRA3 format can also be cut into two A4 sheets

BUSINESS CARD TRAY KIT JS-507*

- Enables output of ready-made business cards into the card tray
- Holds up to 420 business cards in 3 column (depending on paper weight)



CENTRE SLIT KIT TU-504*

- Extends the slitting functionality by one- or two-line slitting in the center of the page

PROFILE SETTING

- TU-510 Profile Manager to set and save profiles in the TU-510
- Can be accessed via the print engine's operating panel or via the Internet
- Saved profiles can be imported via USB

BANNER FEEDING MK-764*

- Enables long-sheet finishing and page reversal during paper output in the TU-510
- Up to 1,300 mm in simplex print mode and 900 mm in duplex print mode

EXTRA-LARGE DUST BOX

- Holds the cuttings from up to 1000 sheets
- For extra-long print runs





COMPATIBILTY

AccurioPress C14000 SERIES



AccurioPress C14000/C12000

AccurioPrint 6136/6136P/6120



AccurioPrint 6136/6136P/6120



10 GOOD REASONS FOR THE TU-510 TRIMMING UNIT



1. BE A PIONEER

With the world's first inline trimming unit in the printing industry



2. UNRIVALLED PRODUCTIVITY

147 ready-made business cards per minute – all ready to pack and ship



3. FULL FLEXIBILITY

No need to compromise thanks to numerous configuration possibilities



4. FULL INTEGRATION

Closed system – integrates perfectly to automate your workflow



5. SIMPLY EFFICIENT

By combining the TU-510 with our intelligent quality care and media detection sensor



6. BENEFIT FROM GREAT BUILT-IN TECHNOLOGIES

Such as double feed detection to avoid waste



7. HIGH DEGREE OF AUTOMATION

Helps save valuable operator time and thus reduces the cost of manual labour.



8. SEAMLESS INTEGRATION

Into Konica Minolta Application portfolio



9. ENHANCE YOUR RANGE OF PRINT OFFERINGS

And fulfill today's demands for versatile and creative print products



10. OPT FOR KONICA MINOLTA

And gain the competence of the market leader in both printing and finishing technology



KONICA MINOLTA

TECHNICAL SPECIFICATIONS

RETHINK INLINE FINISHING

TU-510

Basic function	2-side slit, 4-edge trim, 4-edge trim + 2-way slit
Media weight	50-400 gsm up to 487.7 mm, 128 – 300 gsm up to 1,300 mm*
Media size	Min 140 x 153 mm, max. 330.2 x 1,300* mm (900 mm duplex mode) *
Weight	272 kg standard / 328 kg with all options

* requires MK-764

JS-507 – Business Card Tray Kit

Basic function	Enables business card cutting with separate output tray
Standard finished size	50 x 85 mm to 56 x 92 mm
Standard number of cards	Trims 7 columns x 3 rows (21 cards per sheet)
Output capacity	420 Business Cards (depending on paper weight)

MK-764 – Banner Paper Kit

Basic function	Enables long-sheet feeding and page reversal during paper output
-----------------------	--

TU-504 – Centre Slit Kit

Basic function	One- or two-line slitting	
Paper weight	128 to 300 gsm	
Media size before trimming	1-line slitting	Min 194 x 133 mm Max 330.2 x 487.7 mm
	2-line slitting	Min 271 x 133mm Max 330.2 x 487.7 mm
Media size after trimming	1-line slitting	Min. 85 x 133 mm Max. 161.1 x 487.7 mm
	2-line slitting	Min. 85 x 133 mm Max. 104.7 x 487.7 mm

CR-102 Creasing Kit

Basic function	Downward convex crease operation
Number of creases	1 to 5
Crease setting steps	0.1 mm
Minimum crease interval	1 mm